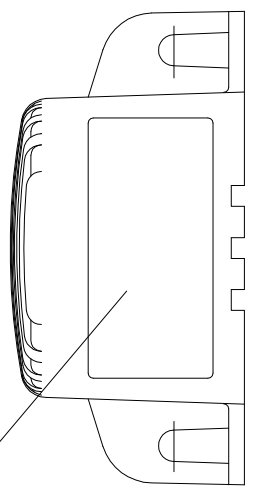
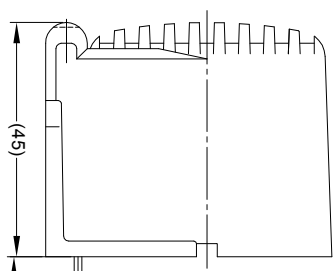
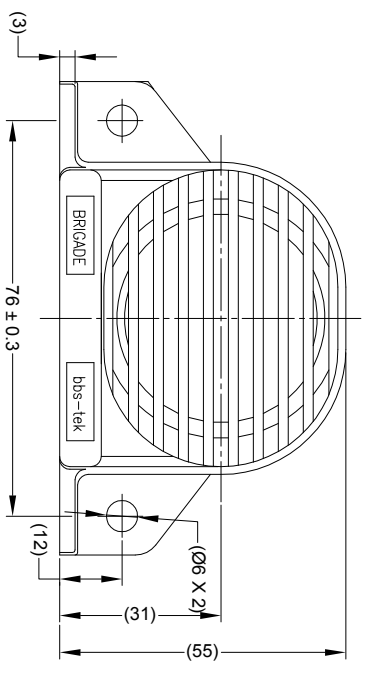


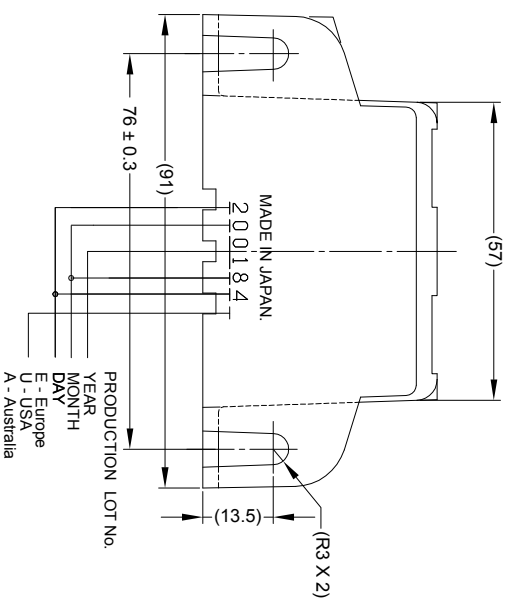
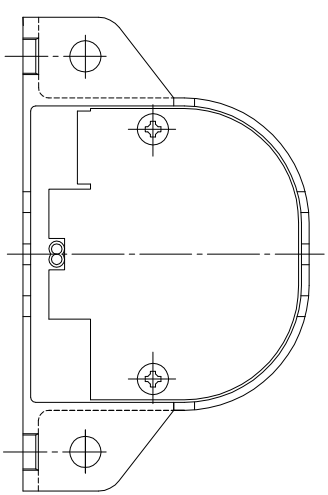
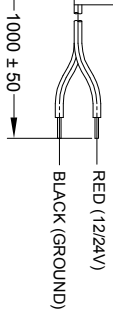
Revision Notes			
R1 - PRODUCTION LOT NO DETAILS ADDED. SPECIFICATION UPDATED			
APA: KIIDA	Drawn: RBATES	Checked: GPLITH	Approved: BJOHN Date: 10/05/13
R2 - NOTES UPDATED TO SHOW LABEL DETAILS AS PER Q1518			
APA: KIIDA	Drawn: RBATES	Checked: MBUTLER	Approved: GPLITH Date: 28/11/13
R3 - NOTES UPDATED TO INCLUDE LABEL DETAILS. STANDARDS UPDATED AS PER ECR CR-A274.			
APA: KIIDA	Drawn: RBATES	Checked: MBUTLER	Approved: GPLITH Date: 28/08/14



PRODUCT LABEL LOCATION



BRIGADE FITTING INSTRUCTION MANUAL LABEL



- SPECIFICATION:**
1. RATED VOLTAGE: 1224 VOLTS DIRECT CURRENT (WORKING VOLTAGE RANGE 10-32 VOLTS)
 2. RATED CURRENT: 0.1 AMPERES OR LESS.
 3. SOUND PRESSURE: 77.4 DECIBELS AT TEST VOLTAGES OF 14/28 VOLTS. (AS MEASURED AT A DISTANCE OF 1.2M ABOVE THE GROUND)
 4. INTERMITTENCE: 80±10 CYCLES PER MINUTE AT TEST VOLTAGES OF 14/28 VOLTS.
 5. TONE: WHITE SOUND.
 6. ENVIRONMENTAL: TESTED TO SAEJ994.

PRODUCTION LOT No.
 YEAR MONTH DAY
 E - Europe
 U - USA
 A - Australia

NOTES:
 1. FOR PRODUCT LABEL REFER TO LATEST REVISION OF DRAWING BE-002833-XX-14
 2. FOR GIFTBOX LABEL REFER TO LATEST REVISION OF DRAWING BE-002834-XX-14
 3. 'R' TRIANGLE INDICATES CHANGES MADE TO REVISION OF DRAWING AS INDICATED IN REVISION NOTES.



PROPRIETARY NOTICE
 THIS DESIGN AND TECHNICAL INFORMATION APPEARING ON THIS DRAWING IS THE PROPERTY OF BRIGADE ELECTRONICS, AND IS DISCLOSED IN CONFIDENCE. IT IS NOT TO BE COPIED, REPRODUCED, REVEALED TO OR EXPLOITED BY OTHERS, EITHER IN WHOLE OR IN PART WITHOUT THE EXPRESS WRITTEN CONSENT OF BRIGADE ELECTRONICS.

BRIGADE®
 www.brigade-electronics.com

 Angle of Projection Third Angle	Assembly PI Approval KIIDA	Approved by -	Checked by BKHEZR	Drawn by DKERAL
	Status RELEASED	Units mm	Scale N/A	Released 22/08/04
		Part No #1397	BBS-77	Assembly Ref BE-000172-03-04